



## MIRAGE *SERIES*



MI-15

- 5.5" Bass reflex
- 1" Neodymium tweeter
- AES power: 120 W

*Restaurants, Lounges, Pubs...*



### SYSTEM COMPOSED OF:

Passive or 3-way amplified version with an integrated DSP 8" bass cabinet  
& up to 16 satellite speakers - Baltic birch wood

[www.hortusaudio.eu](http://www.hortusaudio.eu) - [export@hortusaudio.eu](mailto:export@hortusaudio.eu) - +33.(0)4.67.27.43.05



**MI-15P-08**

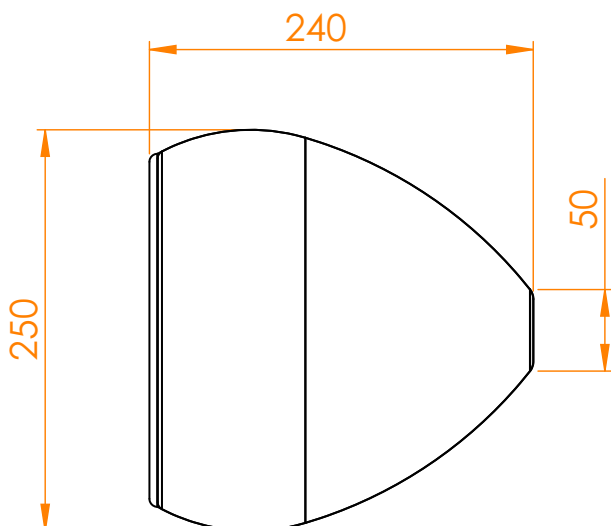
- MF: 1 x 5" - 8  $\Omega$
- Bass-Reflex loaded vented speaker
- AES power: 100 W
- Sensitivity @ 1W/1m: 90.8 dB
- Finnish birch plywood
- Dimensions:  $\varnothing$ 250 x 240 mm
- Weight: 4 Kg

- Mounting: Hanging or optional universal aluminium black or white wall mount HO-RI-SR10



**HO-RI-SR10**

Dimensions (mm)



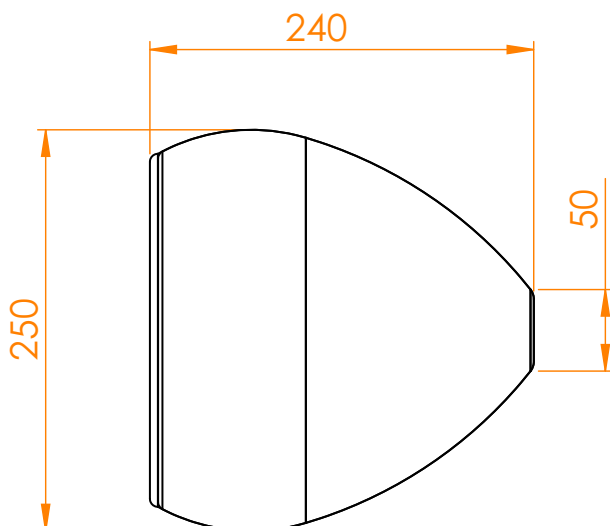


### MI-15.1P-08

- MF: 1 x 5.5" - 8  $\Omega$
- HF: 1 x 1" - 8  $\Omega$  Neodymium tweeter
- Bass-Reflex loaded vented speaker
- AES power: 120 W
- Sensitivity @ 1W/1m: 86.7 dB
- Finnish birch plywood
- Dimensions:  $\varnothing$ 250 x 240 mm
- Weight: 5 Kg
- Mounting: Hanging or optional universal wall mount HO-RI-SR10



### Dimensions (mm)



**HO-RI-SR10**  
(black or white)  
Aluminium wall bracket  
on request.



MI-15.1

MI-13

MI-12

**MIRAGE Series**